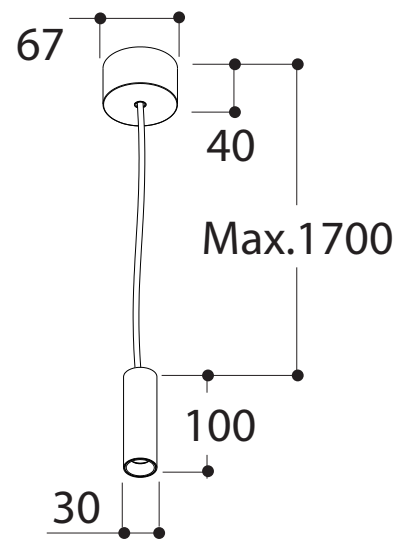


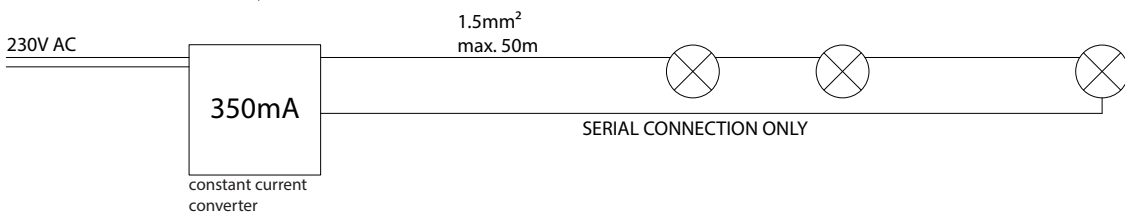
name NOBEL WC

ref 408020 NOBEL 2700K 36° WC CHROME - BLACK MAINSCORD
408026 NOBEL 2700K 36° WC TEXT BLACK - RED MAINSCORD
408002 NOBEL 2700K 36° WC TEXT BLACK - BLACK MAINSCORD
408096 NOBEL 2700K 36° WC TEXT BLACK + GOLD - BLACK MAINSCORD
408034 NOBEL 2700K 36° WC TEXT WHITE - RED MAINSCORD
408094 NOBEL 2700K 36° WC TEXT WHITE + BLACK FOCUS - BLACK MAINSCORD
408027 NOBEL 2700K 36° WC TEXT RED - RED MAINSCORD
408057 NOBEL 2700K 36° WC CU29+BLACK FOCUS - BLACK MAINSCORD
408013 NOBEL 2700K 36° WC GOLD 24K+BLACK FOCUS - BLACK MAINSCORD

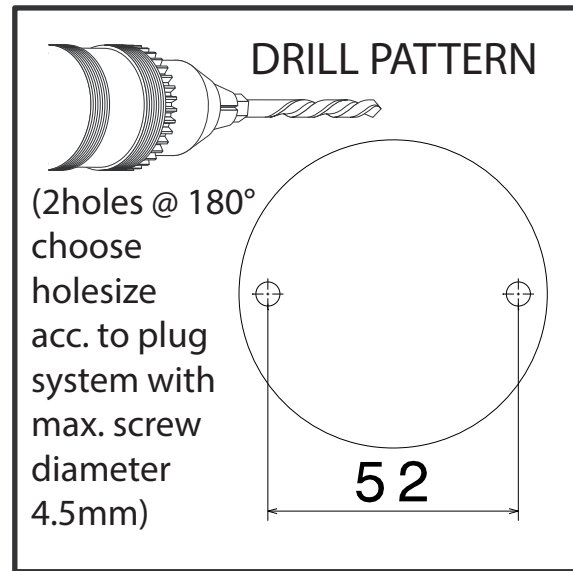
408010 NOBEL 3000K 36° WC CHROME - BLACK MAINSCORD
408016 NOBEL 3000K 36° WC TEXT BLACK - RED MAINSCORD
408012 NOBEL 3000K 36° WC TEXT BLACK - BLACK MAINSCORD
408086 NOBEL 3000K 36° WC TEXT BLACK + GOLD - BLACK MAINSCORD
408024 NOBEL 3000K 36° WC TEXT WHITE - RED MAINSCORD
408084 NOBEL 3000K 36° WC TEXT WHITE + BLACK FOCUS - BLACK MAINSCORD
408017 NOBEL 3000K 36° WC TEXT RED - RED MAINSCORD
408047 NOBEL 3000K 36° WC CU29+BLACK FOCUS - BLACK MAINSCORD
408003 NOBEL 3000K 36° WC GOLD 24K+BLACK FOCUS - BLACK MAINSCORD



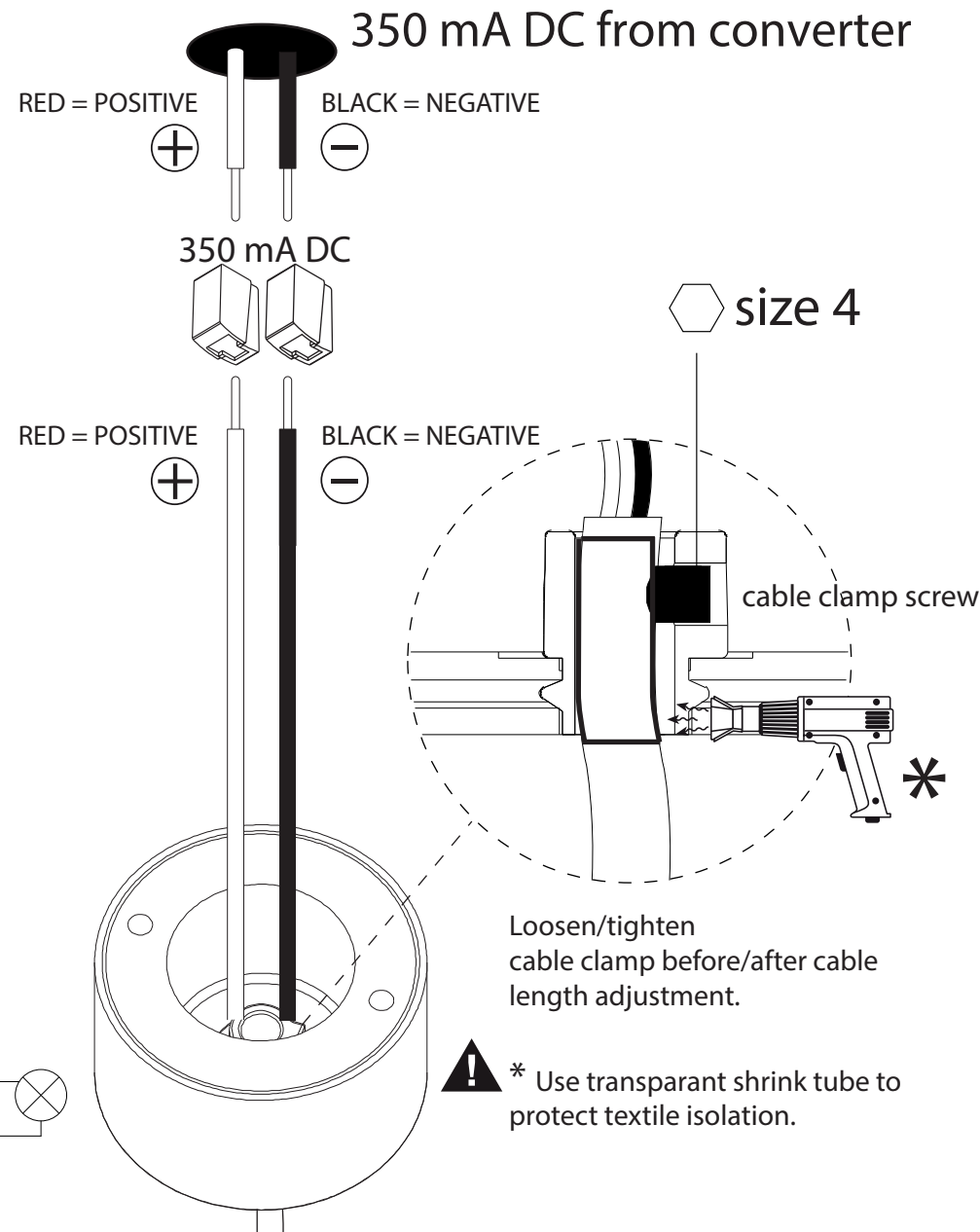
safe distance to object	- 0,1m -
lamptype	LUXEON M (400lm/429lm*)
fitting	NONE
watt	3,82W (Vf = 10.95V)
voltage	350 mA - DC
symbol	
gear	converter not incorporated
ip/class	IP20
application	Interior - ceiling mounted
orientability	not orientable
dimmability	PWM dimmable
weight	0,6
color temp	2700K / 3000K*
CRI	80



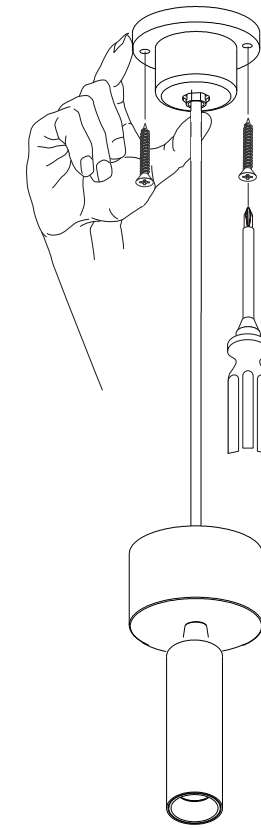
① Make drillpattern in ceiling



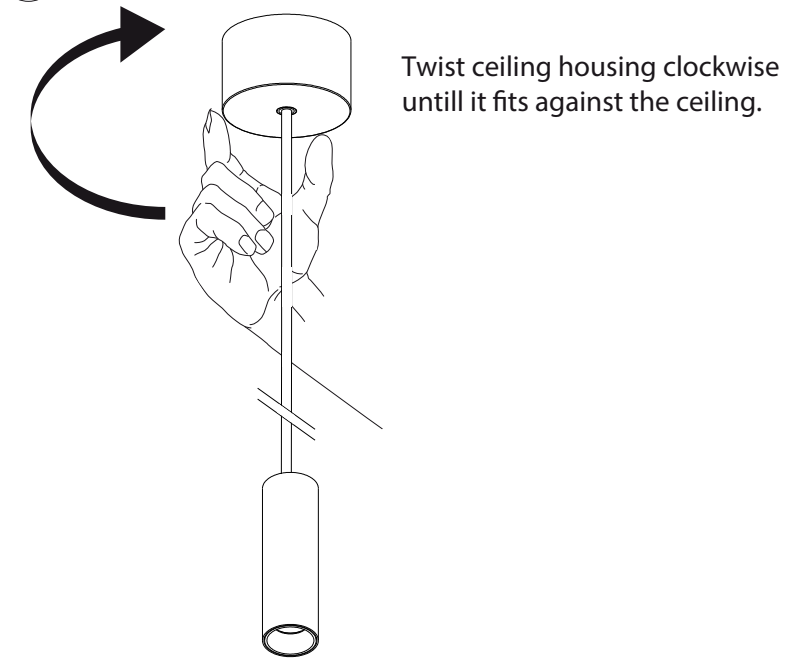
② Adjust cable length & make electrical connection



③ Mount the ceiling bracket (see drill pattern)



④ Fix the ceiling housing



⑤ Switch on mains power supply

ALWAYS DISCONNECT MAINS POWER SUPPLY FROM CONVERTER BEFORE SWITCHING "ON" LED LUMINAIRES TO PREVENT HOT PLUGGING ISSUES